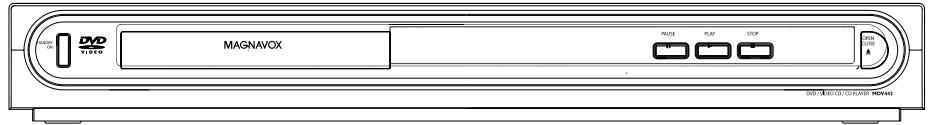


Service  
Service  
**Service**



# Service Manual



## General Service Information:

MDV442/001 SDV442/021 ADV442/021 DV442/051 is almost same as DVD625/001/021/051 except the appearance so that Front Board, and Front ASSY is also changed accordingly. At the same time, due to they are 2nd DVD brand, they are different software with DVD625 in order to creat different LOGO pictures.

For servicing, base on service manual DVD625/001/021/051 (12NC: 3122 785 13390 ) please refer to

1. ExplodeView.....	Page2
2. SchematicsFront.....	Page3
3. PCBLayoutFront.....	Page4
4. SparepartslistADV442/001.....	Page5
5. SparepartslistPDV442/051.....	Page9
6. SparepartslistMDV442/001.....	Page13
7. SparepartslistSDV442/021.....	Page17

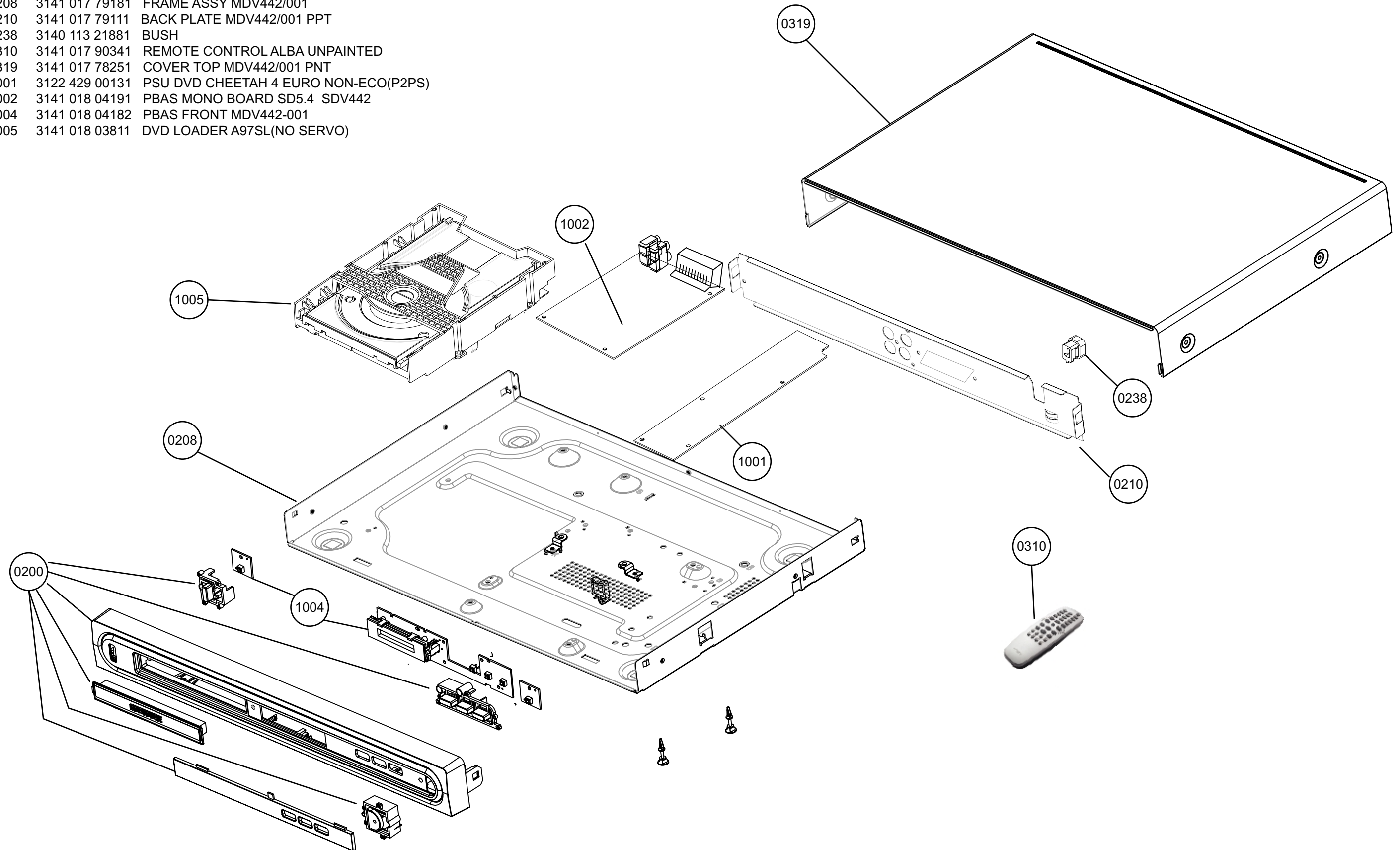
©Copyright 2002 Philips consumer Electronics B.V. Eindhoven, The Netherlands,  
All rights reserved. No part of this publication may be reproduced, stored in a retrieval system or transmitted, in any form or by any means, electronic, mechanical, photocopying, or otherwise without the prior permission of Philips.



# PHILIPS

## 4.2 Exploded View MDV442/001 SDV442/021 ADV442/001 PDV442/051

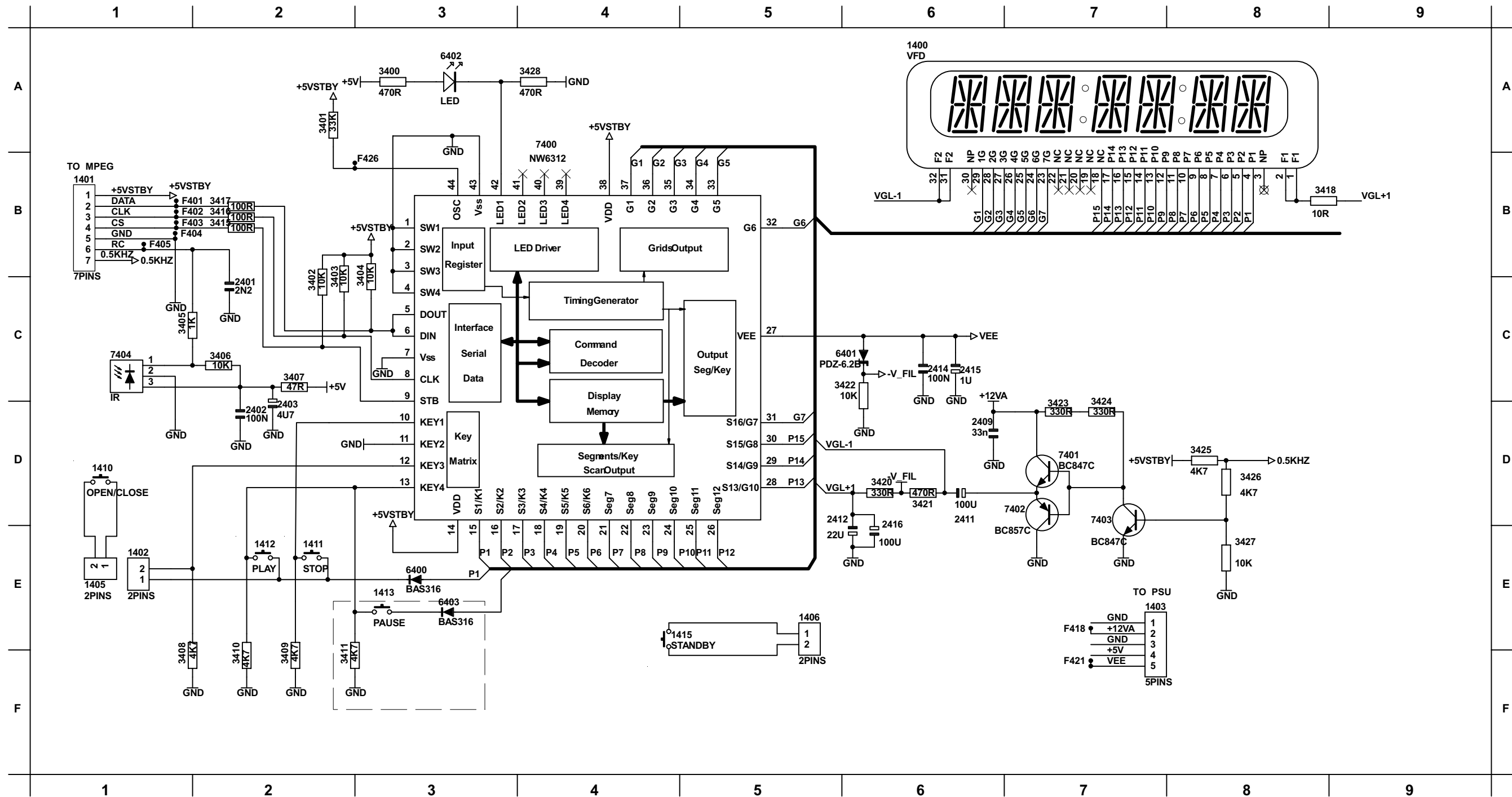
0200	3141 017 79191	FRONT ASSY SDV442/021
0208	3141 017 79181	FRAME ASSY MDV442/001
0210	3141 017 79111	BACK PLATE MDV442/001 PPT
0238	3140 113 21881	BUSH
0310	3141 017 90341	REMOTE CONTROL ALBA UNPAINTED
0319	3141 017 78251	COVER TOP MDV442/001 PNT
1001	3122 429 00131	PSU DVD CHEETAH 4 EURO NON-ECO(P2PS)
1002	3141 018 04191	PBAS MONO BOARD SD5.4 SDV442
1004	3141 018 04182	PBAS FRONT MDV442-001
1005	3141 018 03811	DVD LOADER A97SL(NO SERVO)



# Electrical Diagrams

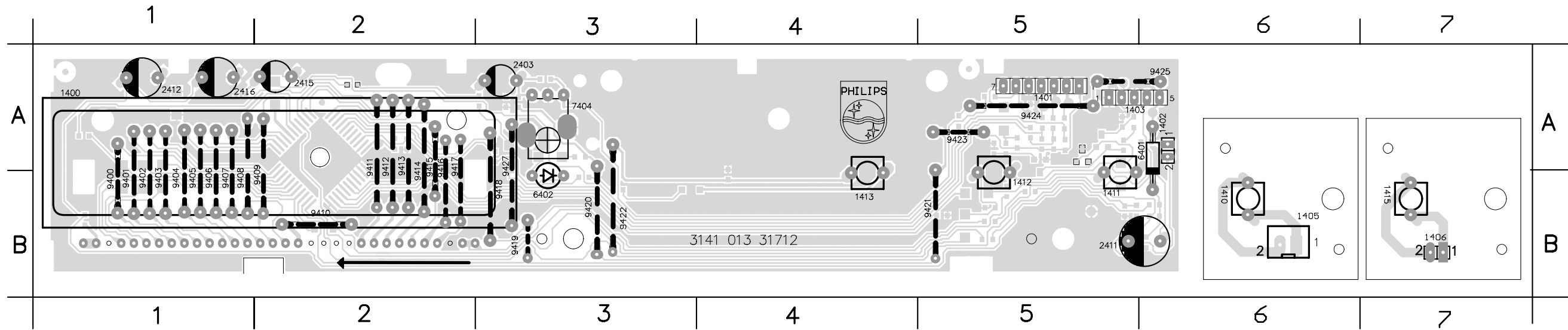
## Front MDV442/001 SDV442/021 ADV442/001 PDV442/051

1400 B6	1411 E2	2409 D6	3401 A2	3408 E2	3418 B9	3426 D8	7400 B3	F403 B1
1401 B1	1412 E2	2411 D6	3402 B2	3409 E2	3420 D6	3427 E8	7401 D7	F404 B1
1402 E1	1413 E3	2412 E6	3403 B2	3410 E2	3421 D6	3428 A3	7402 D7	F405 B1
1403 F8	1415 F4	2414 C6	3404 B3	3411 E3	3422 C6	6400 E3	7403 D7	F418 E7
1405 E1	2401 B2	2415 C6	3405 C2	3415 B2	3423 D7	6401 C6	7404 C1	F421 F7
1406 E5	2402 C2	2416 D6	3406 C2	3416 B2	3424 D7	6402 A3	F401 B1	F426 B3
1410 D1	2403 C2	3400 A3	3407 C2	3417 B2	3425 D8	6403 E3	F402 B1	



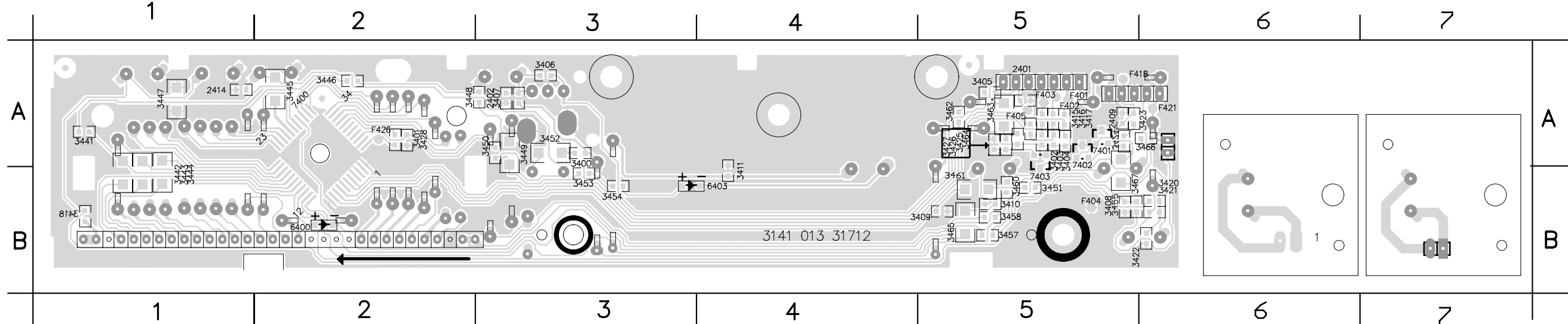
**Layout Front MDV442/001 SDV442/021 ADV442/001 PDV442/051  
Components Side**

1400 B1	1405 B6	1412 B5	2411 B6	6401 B6	9401 B1	9405 B1	9409 B2	9413 B2	9417 B2	9421 B5	9425 A5
1401 A5	1406 B7	1413 B4	2412 A1	6402 B3	9402 B1	9406 B1	9410 B2	9414 B2	9418 A3	9422 B3	9427 B3
1402 A6	1410 B6	1415 B7	2415 A2	7404 A3	9403 B1	9407 B1	9411 B2	9415 A2	9419 B3	9423 A5	
1403 A5	1411 B5	2403 A3	2416 A1	9400 B1	9404 B1	9408 B1	9412 B2	9416 B2	9420 B3	9424 A5	



**Copper Side**

2401 A5	3402 A5	3408 B5	3417 A5	3424 A5	3442 B1	3448 A3	3454 B3	3462 A5	6400 B2	F401 A5	F421 A6
2402 A3	3403 A5	3409 B5	3418 B1	3425 A5	3443 B1	3449 A3	3455 B5	3463 A5	6403 B3	F402 A5	F426 A2
2409 A5	3404 A5	3410 B5	3420 B6	3426 A5	3444 B1	3450 A3	3457 B5	3464 A5	7400 A2	F403 A5	
2414 A1	3405 A5	3411 B4	3421 B6	3427 A5	3445 A2	3451 B5	3458 B5	3465 B5	7401 A5	F404 B5	
3400 A3	3406 A3	3415 A5	3422 B6	3428 A2	3446 A2	3452 A3	3460 B5	3466 A6	7402 A5	F405 A5	
3401 A2	3407 A3	3416 A5	3423 A5	3441 A1	3447 A1	3453 B3	3461 B5	3467 B5	7403 A5	F418 A5	



# Spare Part list ADV442/001

## ADV442/001 DVD PLAYER

0310	3141 017 90341	REMOTE CONTROL ALBA UNPAINTED
0319	3141 017 78251	COVER TOP MDV442/001 PNT
1005	3141 018 03810	DVD LOADER A97SL(NO SERVO)
8002	3141 010 21751	CWAS 09PH/09PH 80 9 WH 26S

## 3141 019 22891 ELECTRONIC SEMI-2 ADV442/00

1002	3141 018 04191	PBAS MONO BOARD SD5.4 SDV442
8001	3141 010 21741	CWAS 10EH/08EH+04EH 190 10 WH 26

## 3141 019 22901 ELECTRONIC SEMI-1 ADV442/00

0200	3141 017 79671	FRONT ASSY ADV442/00
0208	3141 017 79181	FRAME ASSY MDV442/001
0210	3141 017 79111	BACK PLATE MDV442/001 PPT
0238	3140 113 21880	MAINS CORD RELIEF
1001	3122 429 00131	PSU DVD CHEETAH 4 EURO NON-ECO
1004	3141 018 04182	PBAS FRONT MDV442-001
5001 ▲	3141 018 71300	MAIN CORD M7.92VH 1.60M

## 3141 018 04191 MONO BOARD SDV442

### Various

1601	4822 267 10557	B10B-EH-A
1604	2422 025 09406	CON BM 4P VERT PH-B
1608	2422 025 17466	CON BM V 7P M 2.50 MIS B
1609	3141 010 30510	CON SM 0.5MM 24PIN
1611	2422 026 05353	SOC CINCH H 4P F WHYERDBK Y
1612	2422 025 12352	CON BM EURO H 21P F BK GRND-L
1622	2412 020 00724	CON BM V 2P M 2.50 EH B
1712	2422 025 10769	CON BMT 9P VERT PH-B

### Capacitors

2601	3198 017 41050	CER2 0603 Y5V 10V 1U COL R
2603	2238 586 59812	CER2 0603 Y5V50V 100NP80M
2605	2238 586 59812	CER2 0603 Y5V50V 100NP80M
2606	2238 586 59812	CER2 0603 Y5V50V 100NP80M
2607	2238 586 59812	CER2 0603 Y5V50V 100NP80M
2608	2238 586 59812	CER2 0603 Y5V50V 100NP80M
2609	2238 586 59812	CER2 0603 Y5V50V 100NP80M
2610	2238 586 59812	CER2 0603 Y5V50V 100NP80M
2611	2238 586 59812	CER2 0603 Y5V50V 100NP80M
2612	2238 586 59812	CER2 0603 Y5V50V 100NP80M
2613	4822 124 40207	100UF20% 25V
2614	2238 586 59812	CER2 0603 Y5V50V 100NP80M
2615	2238 586 59812	CER2 0603 Y5V50V 100NP80M
2616	4822 126 11669	27PF
2617	3198 017 31530	CER2 0603 X7R 50V 15N COL R
2618	4822 122 33741	10PF10%NP0 50V
2619	4822 126 14315	390PF 5% NP0 50V 0603
2620	4822 126 14315	390PF 5% NP0 50V 0603
2621	2238 586 59812	CER2 0603 Y5V50V 100NP80M
2622	4822 126 13881	470PF 5% 50V
2623	4822 126 14549	33N 16V X7R O6O3
2624	2238 586 59812	CER2 0603 Y5V50V 100NP80M
2625	4822 124 81286	47UF20% 16V

2626	2238 586 59812	CER2 0603 Y5V50V 100NP80M
2627	2238 586 59812	CER2 0603 Y5V50V 100NP80M
2628	2238 586 59812	CER2 0603 Y5V50V 100NP80M
2629	4822 124 81286	47UF20% 16V
2630	2238 586 59812	CER2 0603 Y5V50V 100NP80M
2631	2238 586 59812	CER2 0603 Y5V50V 100NP80M
2632	2238 586 59812	CER2 0603 Y5V50V 100NP80M
2633	4822 124 81286	47UF20% 16V
2634	4822 124 81286	47UF20% 16V
2635	2238 586 59812	CER2 0603 Y5V50V 100NP80M
2637	3198 017 41050	CER2 0603 Y5V 10V 1U COL R
2638	3198 017 41050	CER2 0603 Y5V 10V 1U COL R
2639	3198 017 41050	CER2 0603 Y5V 10V 1U COL R
2640	3198 017 41050	CER2 0603 Y5V 10V 1U COL R
2641	2238 586 59812	CER2 0603 Y5V50V 100NP80M
2642	3198 017 31530	CER2 0603 X7R 50V 15N COL R
2643	4822 122 33753	150PF 5%NP0 50V
2644	4822 122 33753	150PF 5%NP0 50V
2645	2238 586 59812	CER2 0603 Y5V50V 100NP80M
2646	2238 586 59812	CER2 0603 Y5V50V 100NP80M
2647	2238 586 59812	CER2 0603 Y5V50V 100NP80M
2648	4822 124 40207	100UF20% 25V
2649	2238 586 59812	CER2 0603 Y5V50V 100NP80M
2651	2238 586 59812	CER2 0603 Y5V50V 100NP80M
2652	2238 586 59812	CER2 0603 Y5V50V 100NP80M
2653	2238 586 59812	CER2 0603 Y5V50V 100NP80M
2654	2238 586 59812	CER2 0603 Y5V50V 100NP80M
2655	4822 124 81286	47UF20% 16V
2656	2238 586 59812	CER2 0603 Y5V50V 100NP80M
2657	4822 126 11669	27PF
2658	4822 126 11669	27PF
2659	2238 586 59812	CER2 0603 Y5V50V 100NP80M
2660	4822 124 81286	47UF20% 16V
2661	2238 586 59812	CER2 0603 Y5V50V 100NP80M
2662	3198 017 41050	CER2 0603 Y5V 10V 1U COL R
2663	3198 016 31020	CER1 0603 NP0 25V 1N
2664	3198 016 31020	CER1 0603 NP0 25V 1N
2665	3198 016 31020	CER1 0603 NP0 25V 1N
2666	2020 552 94427	CER1 0603 NP0 50V 100P PM5 R
2667	2238 586 59812	CER2 0603 Y5V50V 100NP80M
2668	3198 017 41050	CER2 0603 Y5V 10V 1U COL R
2669	5322 126 11583	10NF 10% X7R 50V 0603 CER2
2670	5322 126 11583	10NF 10% X7R 50V 0603 CER2
2671	5322 126 11583	10NF 10% X7R 50V 0603 CER2
2672	5322 126 11583	10NF 10% X7R 50V 0603 CER2
2673	5322 126 11583	10NF 10% X7R 50V 0603 CER2
2674	2238 586 59812	CER2 0603 Y5V50V 100NP80M
2676	2020 552 94427	CER1 0603 NP0 50V 100P PM5 R
2677	2238 586 59812	CER2 0603 Y5V50V 100NP80M
2678	3198 017 31530	CER2 0603 X7R 50V 15N COL R
2679	4822 126 14241	CER1 0603 NPO 50V 330P COL R
2680	4822 126 14241	CER1 0603 NPO 50V 330P COL R
2682	2238 586 59812	CER2 0603 Y5V50V 100NP80M
2683	4822 124 81286	47UF20% 16V
2684	2238 586 59812	CER2 0603 Y5V50V 100NP80M
2685	4822 124 81151	22UF 50V
2686	3198 017 41050	CER2 0603 Y5V 10V 1U COL R
2687	3198 017 41050	CER2 0603 Y5V 10V 1U COL R
2690	2020 552 94427	CER1 0603 NP0 50V 100P PM5 R
2691	2238 586 59812	CER2 0603 Y5V50V 100NP80M
2692	2238 586 59812	CER2 0603 Y5V50V 100NP80M
2693	2238 586 59812	CER2 0603 Y5V50V 100NP80M
2694	2238 586 59812	CER2 0603 Y5V50V 100NP80M
2695	2238 586 59812	CER2 0603 Y5V50V 100NP80M
2696	2238 586 59812	CER2 0603 Y5V50V 100NP80M
2697	2238 586 59812	CER2 0603 Y5V50V 100NP80M
2698	2238 586 59812	CER2 0603 Y5V50V 100NP80M
2699	2238 586 59812	CER2 0603 Y5V50V 100NP80M
2700	2238 586 59812	CER2 0603 Y5V50V 100NP80M





# Spare Part list ADV442/001

7617	4822 130 60373	BC856B
7618	4822 130 60373	BC856B
7620	4822 130 11565	2SB1132
7621	4822 130 11565	2SB1132
7625	3141 018 51700	TRA SM 3906 SOT23
7626	3141 018 51700	TRA SM 3906 SOT23
7628	5322 130 60159	BC846B
7629	5322 130 60159	BC846B
7630	3141 018 51690	TRA SM 2SK3018
7631	3141 018 51690	TRA SM 2SK3018
7632	5322 130 60159	BC846B
7633	4822 130 60373	BC856B
7634	9340 425 30115	TRA SIG SM BC847BPN (PHSE) R
7637	5322 130 60159	BC846B
7638	5322 130 60159	BC846B
7653	5322 130 60159	BC846B
7654	5322 130 60159	BC846B

## 3141 018 04182 FRONT MDV442/001

### Various

1400	3141 010 50321	VFD 20-0707FN ZEC
1400	3141 010 50311	VFD HNV-07SS54T (SAMSUNG)
1401	3141 010 21662	CWAS 07EH/07SAN 260 7 WH 26S
1402	3141 010 21652	CWAS 02EH/02SAN 80 2 WH 26S
1403	3141 010 21451	CWAS 05EH/05SAN 140 5 WH 26S
1405	2422 025 16343	CON BM V 2P M 2.50 EH BK B
1406	3141 010 21442	CWAS 02EH/02SAN 420 2 WH 26S
1410	4822 276 13114	SWITCH, PUSH BUTTON
1411	4822 276 13114	SWITCH, PUSH BUTTON
1412	4822 276 13114	SWITCH, PUSH BUTTON
1413	4822 276 13114	SWITCH, PUSH BUTTON
1415	4822 276 13114	SWITCH, PUSH BUTTON

### Capacitors

2401	4822 126 14238	CER2 0603 X7R 50V 2N2 COL R
2402	2238 586 59812	CER2 0603 Y5V50V 100NP80M
2403	4822 124 40769	4,7UF20% 100V
2409	4822 126 14549	33N 16V X7R O6O3
2411	4822 124 42084	100UF20% 35V
2414	2238 586 59812	CER2 0603 Y5V50V 100NP80M
2415	4822 124 22651	1,0UF20% 50V
2416	4822 124 42084	100UF20% 35V

### Resistors

3400	4822 051 30471	470R00 5% 0,062W
3401	4822 051 30333	33K00 5% 0,062W
3402	4822 051 30103	10K00 5% 0,062W
3403	4822 051 30103	10K00 5% 0,062W
3404	4822 051 30103	10K00 5% 0,062W
3405	4822 051 30102	1K00 5% 0,062W
3406	4822 051 30103	10K00 5% 0,062W
3407	4822 051 30479	47R00 5% 0,062W
3408	4822 051 30472	4K70 5% 0,062W
3409	4822 051 30472	4K70 5% 0,062W
3410	4822 051 30472	4K70 5% 0,062W
3411	4822 051 30472	4K70 5% 0,062W
3415	4822 051 30101	100R00 5% 0,062W
3416	4822 051 30101	100R00 5% 0,062W
3417	4822 051 30101	100R00 5% 0,062W
3418	4822 051 30109	10R00 5% 0,062W
3420	4822 051 30331	330R00 5% 0,062W

3421	4822 051 30471	470R00 5% 0,062W
3422	4822 051 30103	10K00 5% 0,062W
3423	4822 051 30331	330R00 5% 0,062W
3424	4822 051 30331	330R00 5% 0,062W
3425	4822 051 30472	4K70 5% 0,062W
3426	4822 051 30472	4K70 5% 0,062W
3427	4822 051 30103	10K00 5% 0,062W
3428	4822 051 30471	470R00 5% 0,062W
3441	4822 051 30008	OR00 JUMPER
3442	4822 051 20008	OR00 JUMP. (0805)
3443	4822 051 20008	OR00 JUMP. (0805)
3444	4822 051 20008	OR00 JUMP. (0805)
3445	4822 051 20008	OR00 JUMP. (0805)
3446	4822 051 30008	OR00 JUMPER
3447	4822 051 20008	OR00 JUMP. (0805)
3448	4822 051 30008	OR00 JUMPER
3449	4822 051 20008	OR00 JUMP. (0805)
3450	4822 051 30008	OR00 JUMPER
3451	4822 051 30008	OR00 JUMPER
3452	4822 051 20008	OR00 JUMP. (0805)
3453	4822 051 30008	OR00 JUMPER
3454	4822 051 30008	OR00 JUMPER
3455	4822 051 30008	OR00 JUMPER
3457	4822 051 30008	OR00 JUMPER
3458	4822 051 30008	OR00 JUMPER
3460	4822 051 30008	OR00 JUMPER
3461	4822 051 20008	OR00 JUMP. (0805)
3462	4822 051 30008	OR00 JUMPER
3463	4822 051 20008	OR00 JUMP. (0805)
3464	4822 051 30008	OR00 JUMPER
3465	4822 051 20008	OR00 JUMP. (0805)
3466	4822 051 30008	OR00 JUMPER
3467	4822 051 20008	OR00 JUMP. (0805)

### Diodes

6400	4822 130 11397	BAS316
6401	4822 130 34167	BZX79-B6V2
6402	3141 018 80801	LED RED DIF LTL-4221N-011
6403	4822 130 11397	BAS316

### Transistors & Intergrate Circuit

7400	8241 010 40440	IC PT6312 QFP44
7401	5322 130 60159	BC846B
7402	4822 130 60373	BC856B
7403	5322 130 60159	BC846B
7404	3141 010 50260	IR RECEIVER HK361BT-16



# Spare Part list PDV442/051

## PDV442/051 DVD PLAYER

0310	3141 017 90341	REMOTE CONTROL ALBA UNPAINTED
0319	3141 017 78251	COVER TOP MDV442/001 PNT
1005	3141 018 03810	DVD LOADER A97SL(NO SERVO)
8002	3141 010 21751	CWAS 09PH/09PH 80 9 WH 26S

## 3141 019 22911 ELECTRONIC SEMI-2 PDV442/05

1002	3141 018 04191	PBAS MONO BOARD SD5.4 SDV442
8001	3141 010 21741	CWAS 10EH/08EH+04EH 190 10 WH 26

## 3141 019 22921 ELECTRONIC SEMI-1 PDV442/05

0200	3141 017 79701	FRONT ASSY PDV442/05
0208	3141 017 79181	FRAME ASSY MDV442/001
0210	3141 017 79111	BACK PLATE MDV442/001 PPT
0238	3140 113 21880	MAINS CORD RELIEF
1001	3122 429 00131	PSU DVD CHEETAH 4 EURO NON-ECO(P
1004	3141 018 04182	PBAS FRONT MDV442-001
5001 ▲	4822 321 11458	MAINS CORD 14" GB (JST PLUG)

## 3141 018 04191 MONO BOARD SDV442

### Various

1601	4822 267 10557	B10B-EH-A
1604	2422 025 09406	CON BM 4P VERT PH-B
1608	2422 025 17466	CON BM V 7P M 2.50 MIS B
1609	3141 010 30510	CON SM 0.5MM 24PIN
1611	2422 026 05353	SOC CINCH H 4P F WHYERDBK Y
1612	2422 025 12352	CON BM EURO H 21P F BK GRND-L
1622	2412 020 00724	CON BM V 2P M 2.50 EH B
1712	2422 025 10769	CON BMT 9P VERT PH-B

### Capacitors

2601	3198 017 41050	CER2 0603 Y5V 10V 1U COL R
2603	2238 586 59812	CER2 0603 Y5V50V 100NP80M
2605	2238 586 59812	CER2 0603 Y5V50V 100NP80M
2606	2238 586 59812	CER2 0603 Y5V50V 100NP80M
2607	2238 586 59812	CER2 0603 Y5V50V 100NP80M
2608	2238 586 59812	CER2 0603 Y5V50V 100NP80M
2609	2238 586 59812	CER2 0603 Y5V50V 100NP80M
2610	2238 586 59812	CER2 0603 Y5V50V 100NP80M
2611	2238 586 59812	CER2 0603 Y5V50V 100NP80M
2612	2238 586 59812	CER2 0603 Y5V50V 100NP80M
2613	4822 124 40207	100UF20% 25V
2614	2238 586 59812	CER2 0603 Y5V50V 100NP80M
2615	2238 586 59812	CER2 0603 Y5V50V 100NP80M
2616	4822 126 11669	27PF
2617	3198 017 31530	CER2 0603 X7R 50V 15N COL R
2618	4822 122 33741	10PF10%NP0 50V
2619	4822 126 14315	390PF 5% NP0 50V 0603
2620	4822 126 14315	390PF 5% NP0 50V 0603
2621	2238 586 59812	CER2 0603 Y5V50V 100NP80M
2622	4822 126 13881	470PF 5% 50V
2623	4822 126 14549	33N 16V X7R O6O3

2624	2238 586 59812	CER2 0603 Y5V50V 100NP80M
2625	4822 124 81286	47UF20% 16V
2626	2238 586 59812	CER2 0603 Y5V50V 100NP80M
2627	2238 586 59812	CER2 0603 Y5V50V 100NP80M
2628	2238 586 59812	CER2 0603 Y5V50V 100NP80M
2629	4822 124 81286	47UF20% 16V
2630	2238 586 59812	CER2 0603 Y5V50V 100NP80M
2631	2238 586 59812	CER2 0603 Y5V50V 100NP80M
2632	2238 586 59812	CER2 0603 Y5V50V 100NP80M
2633	4822 124 81286	47UF20% 16V
2634	4822 124 81286	47UF20% 16V
2635	2238 586 59812	CER2 0603 Y5V50V 100NP80M
2637	3198 017 41050	CER2 0603 Y5V 10V 1U COL R
2638	3198 017 41050	CER2 0603 Y5V 10V 1U COL R
2639	3198 017 41050	CER2 0603 Y5V 10V 1U COL R
2640	3198 017 41050	CER2 0603 Y5V 10V 1U COL R
2641	2238 586 59812	CER2 0603 Y5V50V 100NP80M
2642	3198 017 31530	CER2 0603 X7R 50V 15N COL R
2643	4822 122 33753	150PF 5%NP0 50V
2644	4822 122 33753	150PF 5%NP0 50V
2645	2238 586 59812	CER2 0603 Y5V50V 100NP80M
2646	2238 586 59812	CER2 0603 Y5V50V 100NP80M
2647	2238 586 59812	CER2 0603 Y5V50V 100NP80M
2648	4822 124 40207	100UF20% 25V
2649	2238 586 59812	CER2 0603 Y5V50V 100NP80M
2651	2238 586 59812	CER2 0603 Y5V50V 100NP80M
2652	2238 586 59812	CER2 0603 Y5V50V 100NP80M
2653	2238 586 59812	CER2 0603 Y5V50V 100NP80M
2654	2238 586 59812	CER2 0603 Y5V50V 100NP80M
2655	4822 124 81286	47UF20% 16V
2656	2238 586 59812	CER2 0603 Y5V50V 100NP80M
2657	4822 126 11669	27PF
2658	4822 126 11669	27PF
2659	2238 586 59812	CER2 0603 Y5V50V 100NP80M
2660	4822 124 81286	47UF20% 16V
2661	2238 586 59812	CER2 0603 Y5V50V 100NP80M
2662	3198 017 41050	CER2 0603 Y5V 10V 1U COL R
2663	3198 016 31020	CER1 0603 NP0 25V 1N
2664	3198 016 31020	CER1 0603 NP0 25V 1N
2665	3198 016 31020	CER1 0603 NP0 25V 1N
2666	2020 552 94427	CER1 0603 NP0 50V 100P PM5 R
2667	2238 586 59812	CER2 0603 Y5V50V 100NP80M
2668	3198 017 41050	CER2 0603 Y5V 10V 1U COL R
2669	5322 126 11583	10NF 10% X7R 50V 0603 CER2
2670	5322 126 11583	10NF 10% X7R 50V 0603 CER2
2671	5322 126 11583	10NF 10% X7R 50V 0603 CER2
2672	5322 126 11583	10NF 10% X7R 50V 0603 CER2
2673	5322 126 11583	10NF 10% X7R 50V 0603 CER2
2674	2238 586 59812	CER2 0603 Y5V50V 100NP80M
2676	2020 552 94427	CER1 0603 NP0 50V 100P PM5 R
2677	2238 586 59812	CER2 0603 Y5V50V 100NP80M
2678	3198 017 31530	CER2 0603 X7R 50V 15N COL R
2679	4822 126 14241	CER1 0603 NPO 50V 330P COL R
2680	4822 126 14241	CER1 0603 NPO 50V 330P COL R
2682	2238 586 59812	CER2 0603 Y5V50V 100NP80M
2683	4822 124 81286	47UF20% 16V
2684	2238 586 59812	CER2 0603 Y5V50V 100NP80M
2685	4822 124 81151	22UF 50V
2686	3198 017 41050	CER2 0603 Y5V 10V 1U COL R
2687	3198 017 41050	CER2 0603 Y5V 10V 1U COL R
2690	2020 552 94427	CER1 0603 NP0 50V 100P PM5 R
2691	2238 586 59812	CER2 0603 Y5V50V 100NP80M
2692	2238 586 59812	CER2 0603 Y5V50V 100NP80M
2693	2238 586 59812	CER2 0603 Y5V50V 100NP80M
2694	2238 586 59812	CER2 0603 Y5V50V 100NP80M
2695	2238 586 59812	CER2 0603 Y5V50V 100NP80M
2696	2238 586 59812	CER2 0603 Y5V50V 100NP80M
2697	2238 586 59812	CER2 0603 Y5V50V 100NP80M
2698	2238 586 59812	CER2 0603 Y5V50V 100NP80M





# Spare Part list PDV442/051

7615	9322 177 09685	IC SM AK4382AVT (AKM0) R
7616	4822 130 60373	BC856B
7617	4822 130 60373	BC856B
7618	4822 130 60373	BC856B
7620	4822 130 11565	2SB1132
7621	4822 130 11565	2SB1132
7625	3141 018 51700	TRA SM 3906 SOT23
7626	3141 018 51700	TRA SM 3906 SOT23
7628	5322 130 60159	BC846B
7629	5322 130 60159	BC846B
7630	3141 018 51690	TRA SM 2SK3018
7631	3141 018 51690	TRA SM 2SK3018
7632	5322 130 60159	BC846B
7633	4822 130 60373	BC856B
7634	9340 425 30115	TRA SIG SM BC847BPN (PHSE) R
7637	5322 130 60159	BC846B
7638	5322 130 60159	BC846B
7653	5322 130 60159	BC846B
7654	5322 130 60159	BC846B

## 3141 018 04182 FRONT MDV442/001

### Various

0041	3141 014 25380	FTD HOLDER DVD625K
1400	3141 010 50321	VFD 20-0707FN ZEC
1400	3141 010 50311	VFD HNV-07SS54T (SAMSUNG)
1401	3141 010 21662	CWAS 07EH/07SAN 260 7 WH 26S
1402	3141 010 21652	CWAS 02EH/02SAN 80 2 WH 26S
1403	3141 010 21451	CWAS 05EH/05SAN 140 5 WH 26S
1405	2422 025 16343	CON BM V 2P M 2.50 EH BK B
1406	3141 010 21442	CWAS 02EH/02SAN 420 2 WH 26S
1410	4822 276 13114	SWITCH, PUSH BUTTON
1411	4822 276 13114	SWITCH, PUSH BUTTON
1412	4822 276 13114	SWITCH, PUSH BUTTON
1413	4822 276 13114	SWITCH, PUSH BUTTON
1415	4822 276 13114	SWITCH, PUSH BUTTON

### Capacitors

2401	4822 126 14238	CER2 0603 X7R 50V 2N2 COL R
2402	2238 586 59812	CER2 0603 Y5V50V 100NP80M
2403	4822 124 40769	4,7UF20% 100V
2409	4822 126 14549	33N 16V X7R O6O3
2411	4822 124 42084	100UF20% 35V
2414	2238 586 59812	CER2 0603 Y5V50V 100NP80M
2415	4822 124 22651	1,0UF20% 50V
2416	4822 124 42084	100UF20% 35V

### Resistors

3400	4822 051 30471	470R00 5% 0,062W
3401	4822 051 30333	33K00 5% 0,062W
3402	4822 051 30103	10K00 5% 0,062W
3403	4822 051 30103	10K00 5% 0,062W
3404	4822 051 30103	10K00 5% 0,062W
3405	4822 051 30102	1K00 5% 0,062W
3406	4822 051 30103	10K00 5% 0,062W
3407	4822 051 30479	47R00 5% 0,062W
3408	4822 051 30472	4K70 5% 0,062W
3409	4822 051 30472	4K70 5% 0,062W
3410	4822 051 30472	4K70 5% 0,062W
3411	4822 051 30472	4K70 5% 0,062W

3415	4822 051 30101	100R00 5% 0,062W
3416	4822 051 30101	100R00 5% 0,062W
3417	4822 051 30101	100R00 5% 0,062W
3418	4822 051 30109	10R00 5% 0,062W
3420	4822 051 30331	330R00 5% 0,062W
3421	4822 051 30471	470R00 5% 0,062W
3422	4822 051 30103	10K00 5% 0,062W
3423	4822 051 30331	330R00 5% 0,062W
3424	4822 051 30331	330R00 5% 0,062W
3425	4822 051 30472	4K70 5% 0,062W
3426	4822 051 30472	4K70 5% 0,062W
3427	4822 051 30103	10K00 5% 0,062W
3428	4822 051 30471	470R00 5% 0,062W
3441	4822 051 30008	0R00 JUMPER
3442	4822 051 20008	0R00 JUMP. (0805)
3443	4822 051 20008	0R00 JUMP. (0805)
3444	4822 051 20008	0R00 JUMP. (0805)
3445	4822 051 20008	0R00 JUMP. (0805)
3446	4822 051 30008	0R00 JUMPER
3447	4822 051 20008	0R00 JUMP. (0805)
3448	4822 051 30008	0R00 JUMPER
3449	4822 051 20008	0R00 JUMP. (0805)
3450	4822 051 30008	0R00 JUMPER
3451	4822 051 30008	0R00 JUMPER
3452	4822 051 20008	0R00 JUMP. (0805)
3453	4822 051 30008	0R00 JUMPER
3454	4822 051 30008	0R00 JUMPER
3455	4822 051 30008	0R00 JUMPER
3457	4822 051 30008	0R00 JUMPER
3458	4822 051 30008	0R00 JUMPER
3460	4822 051 30008	0R00 JUMPER
3461	4822 051 20008	0R00 JUMP. (0805)
3462	4822 051 30008	0R00 JUMPER
3463	4822 051 20008	0R00 JUMP. (0805)
3464	4822 051 30008	0R00 JUMPER
3465	4822 051 20008	0R00 JUMP. (0805)
3466	4822 051 30008	0R00 JUMPER
3467	4822 051 20008	0R00 JUMP. (0805)

### Diodes

6400	4822 130 11397	BAS316
6401	4822 130 34167	BZX79-B6V2
6402	3141 018 80801	LED RED DIF LTL-4221N-011
6403	4822 130 11397	BAS316

### Transistors & Integrate Circuits

7400	8241 010 40440	IC PT6312 QFP44
7401	5322 130 60159	BC846B
7402	4822 130 60373	BC856B
7403	5322 130 60159	BC846B
7404	3141 010 50260	IR RECEIVER HK361BT-16

# Spare Part list MDV442/001

## MDV442/001 DVD PLAYER

0310	3141 017 90341	REMOTE CONTROL ALBA UNPAINTED
0319	3141 017 78251	COVER TOP MDV442/001 PNT
1005	3141 018 03810	DVD LOADER A97SL(NO SERVO)
8002	3141 010 21751	CWAS 09PH/09PH 80 9 WH 26S

## 3141 019 22601 ELECTRONIC SEMI-2 MDV442/001

1002	3141 018 04151	PBAS MONO BOARD SD5.4 MDV421/00
8001	3141 010 21741	CWAS 10EH/08EH+04EH 190 10 WH 26

## 3141 019 22611 ELECTRONIC SEMI-1 MDV442/001

0200	3141 017 79101	FRONT ASSY MDV442/001
0208	3141 017 79181	FRAME ASSY MDV442/001
0210	3141 017 79111	BACK PLATE MDV442/001 PPT
0238	3140 113 21880	MAINS CORD RELIEF
1001	3122 429 00131	PSU DVD CHEETAH 4 EURO NON-ECO(P
1004	3141 018 04182	PBAS FRONT MDV442-001
5001	3141 018 71300	MAIN CORD M7.92VH 1.60M

## 3141 018 04151 MONO BOARD MDV421

### Various

1601	4822 267 10557	B10B-EH-A
1604	2422 025 09406	CON BM 4P VERT PH-B
1608	2422 025 17466	CON BM V 7P M 2.50 MIS B
1609	3141 010 30510	CON SM 0.5MM 24PIN
1611	2422 026 05353	SOC CINCH H 4P F WHYERDBK Y
1612	2422 025 12352	CON BM EURO H 21P F BK GRND-L
1622	2412 020 00724	CON BM V 2P M 2.50 EH B
1712	2422 025 10769	CON BMT 9P VERT PH-B

### Capacitors

2601	3198 017 41050	CER2 0603 Y5V 10V 1U COL R
2603	2238 586 59812	CER2 0603 Y5V50V 100NP80M
2605	2238 586 59812	CER2 0603 Y5V50V 100NP80M
2606	2238 586 59812	CER2 0603 Y5V50V 100NP80M
2607	2238 586 59812	CER2 0603 Y5V50V 100NP80M
2608	2238 586 59812	CER2 0603 Y5V50V 100NP80M
2609	2238 586 59812	CER2 0603 Y5V50V 100NP80M
2610	2238 586 59812	CER2 0603 Y5V50V 100NP80M
2611	2238 586 59812	CER2 0603 Y5V50V 100NP80M
2612	2238 586 59812	CER2 0603 Y5V50V 100NP80M
2613	4822 124 40207	100UF20% 25V
2614	2238 586 59812	CER2 0603 Y5V50V 100NP80M
2615	2238 586 59812	CER2 0603 Y5V50V 100NP80M
2616	4822 126 11669	27PF
2617	3198 017 31530	CER2 0603 X7R 50V 15N COL R
2618	4822 122 33741	10PF10%NP0 50V

2619	4822 126 14315	390PF 5% NP0 50V 0603
2620	4822 126 14315	390PF 5% NP0 50V 0603
2621	2238 586 59812	CER2 0603 Y5V50V 100NP80M
2622	4822 126 13881	470PF 5% 50V
2623	4822 126 14549	33N 16V X7R O6O3
2624	2238 586 59812	CER2 0603 Y5V50V 100NP80M
2625	4822 124 81286	47UF20% 16V
2626	2238 586 59812	CER2 0603 Y5V50V 100NP80M
2627	2238 586 59812	CER2 0603 Y5V50V 100NP80M
2628	2238 586 59812	CER2 0603 Y5V50V 100NP80M
2629	4822 124 81286	47UF20% 16V
2630	2238 586 59812	CER2 0603 Y5V50V 100NP80M
2631	2238 586 59812	CER2 0603 Y5V50V 100NP80M
2632	2238 586 59812	CER2 0603 Y5V50V 100NP80M
2633	4822 124 81286	47UF20% 16V
2634	4822 124 81286	47UF20% 16V
2635	2238 586 59812	CER2 0603 Y5V50V 100NP80M
2637	3198 017 41050	CER2 0603 Y5V 10V 1U COL R
2638	3198 017 41050	CER2 0603 Y5V 10V 1U COL R
2639	3198 017 41050	CER2 0603 Y5V 10V 1U COL R
2640	3198 017 41050	CER2 0603 Y5V 10V 1U COL R
2641	2238 586 59812	CER2 0603 Y5V50V 100NP80M
2642	3198 017 31530	CER2 0603 X7R 50V 15N COL R
2643	4822 122 33753	150PF 5%NP0 50V
2644	4822 122 33753	150PF 5%NP0 50V
2645	2238 586 59812	CER2 0603 Y5V50V 100NP80M
2646	2238 586 59812	CER2 0603 Y5V50V 100NP80M
2647	2238 586 59812	CER2 0603 Y5V50V 100NP80M
2648	4822 124 40207	100UF20% 25V
2649	2238 586 59812	CER2 0603 Y5V50V 100NP80M
2651	2238 586 59812	CER2 0603 Y5V50V 100NP80M
2652	2238 586 59812	CER2 0603 Y5V50V 100NP80M
2653	2238 586 59812	CER2 0603 Y5V50V 100NP80M
2654	2238 586 59812	CER2 0603 Y5V50V 100NP80M
2655	4822 124 81286	47UF20% 16V
2656	2238 586 59812	CER2 0603 Y5V50V 100NP80M
2657	4822 126 11669	27PF
2658	4822 126 11669	27PF
2659	2238 586 59812	CER2 0603 Y5V50V 100NP80M
2660	4822 124 81286	47UF20% 16V
2661	2238 586 59812	CER2 0603 Y5V50V 100NP80M
2662	3198 017 41050	CER2 0603 Y5V 10V 1U COL R
2663	3198 016 31020	CER1 0603 NP0 25V 1N
2664	3198 016 31020	CER1 0603 NP0 25V 1N
2665	3198 016 31020	CER1 0603 NP0 25V 1N
2666	2020 552 94427	CER1 0603 NP0 50V 100P PM5 R
2667	2238 586 59812	CER2 0603 Y5V50V 100NP80M
2668	3198 017 41050	CER2 0603 Y5V 10V 1U COL R
2669	5322 126 11583	10NF 10% X7R 50V 0603 CER2
2670	5322 126 11583	10NF 10% X7R 50V 0603 CER2
2671	5322 126 11583	10NF 10% X7R 50V 0603 CER2
2672	5322 126 11583	10NF 10% X7R 50V 0603 CER2
2673	5322 126 11583	10NF 10% X7R 50V 0603 CER2
2674	2238 586 59812	CER2 0603 Y5V50V 100NP80M
2676	2020 552 94427	CER1 0603 NP0 50V 100P PM5 R
2677	2238 586 59812	CER2 0603 Y5V50V 100NP80M
2678	3198 017 31530	CER2 0603 X7R 50V 15N COL R
2679	4822 126 14241	CER1 0603 NP0 50V 330P COL R
2680	4822 126 14241	CER1 0603 NP0 50V 330P COL R
2682	2238 586 59812	CER2 0603 Y5V50V 100NP80M
2683	4822 124 81286	47UF20% 16V
2684	2238 586 59812	CER2 0603 Y5V50V 100NP80M
2685	4822 124 81151	22UF 50V
2686	3198 017 41050	CER2 0603 Y5V 10V 1U COL R
2687	3198 017 41050	CER2 0603 Y5V 10V 1U COL R
2690	2020 552 94427	CER1 0603 NP0 50V 100P PM5 R
2691	2238 586 59812	CER2 0603 Y5V50V 100NP80M
2692	2238 586 59812	CER2 0603 Y5V50V 100NP80M
2693	2238 586 59812	CER2 0603 Y5V50V 100NP80M





# Spare Part list MDV442/001

7606	3141 018 51771	IC SM MT1379BE(B)	3408	4822 051 30472	4K70	5%	0,062W
7609	3141 018 51280	IC SM 48LC4M16A2 (MICRON)	3409	4822 051 30472	4K70	5%	0,062W
7611	3141 017 40971	IC SM M29W800DT PROG SD542MDV	3410	4822 051 30472	4K70	5%	0,062W
7613	4822 209 83357	NJM4560M JRC	3411	4822 051 30472	4K70	5%	0,062W
7614	4822 209 33411	MC78L05ACD	3415	4822 051 30101	100R00	5%	0,062W
7615	9322 177 09685	IC SM AK4382AVT (AKM0) R	3416	4822 051 30101	100R00	5%	0,062W
7616	4822 130 60373	BC856B	3417	4822 051 30101	100R00	5%	0,062W
7617	4822 130 60373	BC856B	3418	4822 051 30109	10R00	5%	0,062W
7618	4822 130 60373	BC856B	3420	4822 051 30331	330R00	5%	0,062W
7620	4822 130 11565	2SB1132	3421	4822 051 30471	470R00	5%	0,062W
7621	4822 130 11565	2SB1132	3422	4822 051 30103	10K00	5%	0,062W
7625	3141 018 51700	TRA SM 3906 SOT23	3423	4822 051 30331	330R00	5%	0,062W
7626	3141 018 51700	TRA SM 3906 SOT23	3424	4822 051 30331	330R00	5%	0,062W
7628	5322 130 60159	BC846B	3425	4822 051 30472	4K70	5%	0,062W
7629	5322 130 60159	BC846B	3426	4822 051 30472	4K70	5%	0,062W
7630	3141 018 51690	TRA SM 2SK3018	3427	4822 051 30103	10K00	5%	0,062W
7631	3141 018 51690	TRA SM 2SK3018	3428	4822 051 30471	470R00	5%	0,062W
7632	5322 130 60159	BC846B	3441	4822 051 30008	OR00	JUMPER	
7633	4822 130 60373	BC856B	3442	4822 051 20008	OR00	JUMP. (0805)	
7634	9340 425 30115	TRA SIG SM BC847BPN (PHSE) R	3443	4822 051 20008	OR00	JUMP. (0805)	
7637	5322 130 60159	BC846B	3444	4822 051 20008	OR00	JUMP. (0805)	
7638	5322 130 60159	BC846B	3445	4822 051 20008	OR00	JUMP. (0805)	
7653	5322 130 60159	BC846B	3446	4822 051 30008	OR00	JUMPER	
7654	5322 130 60159	BC846B	3447	4822 051 20008	OR00	JUMP. (0805)	
			3448	4822 051 30008	OR00	JUMPER	
			3449	4822 051 20008	OR00	JUMP. (0805)	
			3450	4822 051 30008	OR00	JUMPER	
			3451	4822 051 30008	OR00	JUMPER	
			3452	4822 051 20008	OR00	JUMP. (0805)	
			3453	4822 051 30008	OR00	JUMPER	
			3454	4822 051 30008	OR00	JUMPER	
			3455	4822 051 30008	OR00	JUMPER	
			3457	4822 051 30008	OR00	JUMPER	
			3458	4822 051 30008	OR00	JUMPER	
			3460	4822 051 30008	OR00	JUMPER	
			3461	4822 051 20008	OR00	JUMP. (0805)	
			3462	4822 051 30008	OR00	JUMPER	
			3463	4822 051 20008	OR00	JUMP. (0805)	
			3464	4822 051 30008	OR00	JUMPER	
			3465	4822 051 20008	OR00	JUMP. (0805)	
			3466	4822 051 30008	OR00	JUMPER	
			3467	4822 051 20008	OR00	JUMP. (0805)	

## 3141 018 04182 FRONT MDV442/001

### Various

0041	3141 014 25380	FTD HOLDER DVD625K
1400	3141 010 50321	VFD 20-0707FN ZEC
1400	3141 010 50311	VFD HNV-07SS54T (SAMSUNG)
1401	3141 010 21662	CWAS 07EH/07SAN 260 7 WH 26S
1402	3141 010 21652	CWAS 02EH/02SAN 80 2 WH 26S
1403	3141 010 21451	CWAS 05EH/05SAN 140 5 WH 26S
1405	2422 025 16343	CON BM V 2P M 2.50 EH BK B
1406	3141 010 21442	CWAS 02EH/02SAN 420 2 WH 26S
1410	4822 276 13114	SWITCH, PUSH BUTTON
1411	4822 276 13114	SWITCH, PUSH BUTTON
1412	4822 276 13114	SWITCH, PUSH BUTTON
1413	4822 276 13114	SWITCH, PUSH BUTTON
1415	4822 276 13114	SWITCH, PUSH BUTTON

### Capacitors

2401	4822 126 14238	CER2 0603 X7R 50V 2N2 COL R
2402	2238 586 59812	CER2 0603 Y5V50V 100NP80M
2403	4822 124 40769	4,7UF20% 100V
2409	4822 126 14549	33N 16V X7R O6O3
2411	4822 124 42084	100UF20% 35V
2414	2238 586 59812	CER2 0603 Y5V50V 100NP80M
2415	4822 124 22651	1,0UF20% 50V
2416	4822 124 42084	100UF20% 35V

### Resistors

3400	4822 051 30471	470R00	5%	0,062W
3401	4822 051 30333	33K00	5%	0,062W
3402	4822 051 30103	10K00	5%	0,062W
3403	4822 051 30103	10K00	5%	0,062W
3404	4822 051 30103	10K00	5%	0,062W
3405	4822 051 30102	1K00	5%	0,062W
3406	4822 051 30103	10K00	5%	0,062W
3407	4822 051 30479	47R00	5%	0,062W

### Diodes

6400	4822 130 11397	BAS316
6401	4822 130 34167	BZX79-B6V2
6402	3141 018 80801	LED RED DIF LTL-4221N-011
6403	4822 130 11397	BAS316

### Transistors & Integrate Circuits

7400	8241 010 40440	IC PT6312 QFP44
7401	5322 130 60159	BC846B
7402	4822 130 60373	BC856B
7403	5322 130 60159	BC846B
7404	3141 010 50260	IR RECEIVER HK361BT-16



# Spare Part list SDV442/021

## SDV442/021 DVD PLAYER

0310	3141 017 90341	REMOTE CONTROL ALBA UNPAINTED
0319	3141 017 78251	COVER TOP MDV442/001 PNT
1005	3141 018 03810	DVD LOADER A97SL(NO SERVO)
8002	3141 010 21751	CWAS 09PH/09PH 80 9 WH 26S

## 3141 019 22651 ELECTRONIC SEMI-2 SDV442/021

1002	3141 018 04191	PBAS MONO BOARD SD5.4 SDV442
8001	3141 010 21741	CWAS 10EH/08EH+04EH 190 10 WH 26

## 3141 019 22661 ELECTRONIC SEMI-1 SDV442/021

0200	3141 017 79191	FRONT ASSY SDV442/021
0208	3141 017 79181	FRAME ASSY MDV442/001
0210	3141 017 79111	BACK PLATE MDV442/001 PPT
0238	3140 113 21880	MAINS CORD RELIEF
1001	3122 429 00131	PSU DVD CHEETAH 4 EURO NON-ECO(P
1004	3141 018 04182	PBAS FRONT MDV442-001
5001	3141 018 71300	MAIN CORD M7.92VH 1.60M

## 3141 018 04191 MONO BOARD SDV442

### Various

1601	4822 267 10557	B10B-EH-A
1604	2422 025 09406	CON BM 4P VERT PH-B
1608	2422 025 17466	CON BM V 7P M 2.50 MIS B
1609	3141 010 30510	CON SM 0.5MM 24PIN
1611	2422 026 05353	SOC CINCH H 4P F WHYERDBK Y
1612	2422 025 12352	CON BM EURO H 21P F BK GRND-L
1622	2412 020 00724	CON BM V 2P M 2.50 EH B
1712	2422 025 10769	CON BMT 9P VERT PH-B

### Capacitors

2601	3198 017 41050	CER2 0603 Y5V 10V 1U COL R
2603	2238 586 59812	CER2 0603 Y5V50V 100NP80M
2605	2238 586 59812	CER2 0603 Y5V50V 100NP80M
2606	2238 586 59812	CER2 0603 Y5V50V 100NP80M
2607	2238 586 59812	CER2 0603 Y5V50V 100NP80M
2608	2238 586 59812	CER2 0603 Y5V50V 100NP80M
2609	2238 586 59812	CER2 0603 Y5V50V 100NP80M
2610	2238 586 59812	CER2 0603 Y5V50V 100NP80M
2611	2238 586 59812	CER2 0603 Y5V50V 100NP80M
2612	2238 586 59812	CER2 0603 Y5V50V 100NP80M
2613	4822 124 40207	100UF20% 25V
2614	2238 586 59812	CER2 0603 Y5V50V 100NP80M
2615	2238 586 59812	CER2 0603 Y5V50V 100NP80M
2616	4822 126 11669	27PF
2617	3198 017 31530	CER2 0603 X7R 50V 15N COL R
2618	4822 122 33741	10PF10%NP0 50V
2619	4822 126 14315	390PF 5% NP0 50V 0603
2620	4822 126 14315	390PF 5% NP0 50V 0603

2621	2238 586 59812	CER2 0603 Y5V50V 100NP80M
2622	4822 126 13881	470PF 5% 50V
2623	4822 126 14549	33N 16V X7R O6O3
2624	2238 586 59812	CER2 0603 Y5V50V 100NP80M
2625	4822 124 81286	47UF20% 16V
2626	2238 586 59812	CER2 0603 Y5V50V 100NP80M
2627	2238 586 59812	CER2 0603 Y5V50V 100NP80M
2628	2238 586 59812	CER2 0603 Y5V50V 100NP80M
2629	4822 124 81286	47UF20% 16V
2630	2238 586 59812	CER2 0603 Y5V50V 100NP80M
2631	2238 586 59812	CER2 0603 Y5V50V 100NP80M
2632	2238 586 59812	CER2 0603 Y5V50V 100NP80M
2633	4822 124 81286	47UF20% 16V
2634	4822 124 81286	47UF20% 16V
2635	2238 586 59812	CER2 0603 Y5V50V 100NP80M
2637	3198 017 41050	CER2 0603 Y5V 10V 1U COL R
2638	3198 017 41050	CER2 0603 Y5V 10V 1U COL R
2639	3198 017 41050	CER2 0603 Y5V 10V 1U COL R
2640	3198 017 41050	CER2 0603 Y5V 10V 1U COL R
2641	2238 586 59812	CER2 0603 Y5V50V 100NP80M
2642	3198 017 31530	CER2 0603 X7R 50V 15N COL R
2643	4822 122 33753	150PF 5%NP0 50V
2644	4822 122 33753	150PF 5%NP0 50V
2645	2238 586 59812	CER2 0603 Y5V50V 100NP80M
2646	2238 586 59812	CER2 0603 Y5V50V 100NP80M
2647	2238 586 59812	CER2 0603 Y5V50V 100NP80M
2648	4822 124 40207	100UF20% 25V
2649	2238 586 59812	CER2 0603 Y5V50V 100NP80M
2651	2238 586 59812	CER2 0603 Y5V50V 100NP80M
2652	2238 586 59812	CER2 0603 Y5V50V 100NP80M
2653	2238 586 59812	CER2 0603 Y5V50V 100NP80M
2654	2238 586 59812	CER2 0603 Y5V50V 100NP80M
2655	4822 124 81286	47UF20% 16V
2656	2238 586 59812	CER2 0603 Y5V50V 100NP80M
2657	4822 126 11669	27PF
2658	4822 126 11669	27PF
2659	2238 586 59812	CER2 0603 Y5V50V 100NP80M
2660	4822 124 81286	47UF20% 16V
2661	2238 586 59812	CER2 0603 Y5V50V 100NP80M
2662	3198 017 41050	CER2 0603 Y5V 10V 1U COL R
2663	3198 016 31020	CER1 0603 NP0 25V 1N
2664	3198 016 31020	CER1 0603 NP0 25V 1N
2665	3198 016 31020	CER1 0603 NP0 25V 1N
2666	2020 552 94427	CER1 0603 NP0 50V 100P PM5 R
2667	2238 586 59812	CER2 0603 Y5V50V 100NP80M
2668	3198 017 41050	CER2 0603 Y5V 10V 1U COL R
2669	5322 126 11583	10NF 10% X7R 50V 0603 CER2
2670	5322 126 11583	10NF 10% X7R 50V 0603 CER2
2671	5322 126 11583	10NF 10% X7R 50V 0603 CER2
2672	5322 126 11583	10NF 10% X7R 50V 0603 CER2
2673	5322 126 11583	10NF 10% X7R 50V 0603 CER2
2674	2238 586 59812	CER2 0603 Y5V50V 100NP80M
2676	2020 552 94427	CER1 0603 NP0 50V 100P PM5 R
2677	2238 586 59812	CER2 0603 Y5V50V 100NP80M
2678	3198 017 31530	CER2 0603 X7R 50V 15N COL R
2679	4822 126 14241	CER1 0603 NPO 50V 330P COL R
2680	4822 126 14241	CER1 0603 NPO 50V 330P COL R
2682	2238 586 59812	CER2 0603 Y5V50V 100NP80M
2683	4822 124 81286	47UF20% 16V
2684	2238 586 59812	CER2 0603 Y5V50V 100NP80M
2685	4822 124 81151	22UF 50V
2686	3198 017 41050	CER2 0603 Y5V 10V 1U COL R
2687	3198 017 41050	CER2 0603 Y5V 10V 1U COL R
2690	2020 552 94427	CER1 0603 NP0 50V 100P PM5 R
2691	2238 586 59812	CER2 0603 Y5V50V 100NP80M
2692	2238 586 59812	CER2 0603 Y5V50V 100NP80M
2693	2238 586 59812	CER2 0603 Y5V50V 100NP80M
2694	2238 586 59812	CER2 0603 Y5V50V 100NP80M
2695	2238 586 59812	CER2 0603 Y5V50V 100NP80M

# Spare Part list SDV442/021

2696	2238 586 59812	CER2 0603 Y5V50V 100NP80M	2806	4822 124 81151	22UF 50V
2697	2238 586 59812	CER2 0603 Y5V50V 100NP80M	2807	4822 124 81286	47UF20% 16V
2698	2238 586 59812	CER2 0603 Y5V50V 100NP80M	2810	4822 124 80791	470UF 16V 20% 105C DXH=8X11,5
2699	2238 586 59812	CER2 0603 Y5V50V 100NP80M	2811	4822 124 80791	470UF 16V 20% 105C DXH=8X11,5
2700	2238 586 59812	CER2 0603 Y5V50V 100NP80M	2812	4822 124 80791	470UF 16V 20% 105C DXH=8X11,5
2701	2238 586 59812	CER2 0603 Y5V50V 100NP80M	2816	2222 867 15339	CER1 0603 NP0 50V 33P PM5
2702	2238 586 59812	CER2 0603 Y5V50V 100NP80M	2817	4822 126 13883	220PF 5% 50V
2703	2238 586 59812	CER2 0603 Y5V50V 100NP80M	2818	4822 126 13883	220PF 5% 50V
2704	2238 586 59812	CER2 0603 Y5V50V 100NP80M	2819	4822 126 13883	220PF 5% 50V
2710	2238 586 59812	CER2 0603 Y5V50V 100NP80M	2820	4822 126 13883	220PF 5% 50V
2711	2238 586 59812	CER2 0603 Y5V50V 100NP80M	2821	2222 867 15339	CER1 0603 NP0 50V 33P PM5
2712	2238 586 59812	CER2 0603 Y5V50V 100NP80M			
2713	2238 586 59812	CER2 0603 Y5V50V 100NP80M			
2714	2238 586 59812	CER2 0603 Y5V50V 100NP80M			
2715	2238 586 59812	CER2 0603 Y5V50V 100NP80M			
2717	2238 586 59812	CER2 0603 Y5V50V 100NP80M			
2720	2238 586 59812	CER2 0603 Y5V50V 100NP80M			
2722	4822 126 13883	220PF 5% 50V			
2723	2020 552 94427	CER1 0603 NP0 50V 100P PM5 R			
2725	4822 126 13883	220PF 5% 50V			
2726	2020 552 94427	CER1 0603 NP0 50V 100P PM5 R			
2730	4822 126 13883	220PF 5% 50V			
2731	2020 552 94427	CER1 0603 NP0 50V 100P PM5 R			
2734	2238 586 59812	CER2 0603 Y5V50V 100NP80M			
2735	4822 124 81286	47UF20% 16V			
2744	4822 126 13883	220PF 5% 50V			
2745	2020 552 94427	CER1 0603 NP0 50V 100P PM5 R			
2747	4822 126 13883	220PF 5% 50V			
2748	2020 552 94427	CER1 0603 NP0 50V 100P PM5 R			
2749	2238 586 59812	CER2 0603 Y5V50V 100NP80M			
2751	4822 126 14241	CER1 0603 NPO 50V 330P COL R			
2758	4822 126 13909	680PF 10% X7R 50V			
2760	5322 126 11579	3,3NF10%X7R 63V			
2763	4822 126 13909	680PF 10% X7R 50V			
2764	2238 586 59812	CER2 0603 Y5V50V 100NP80M			
2765	4822 126 13909	680PF 10% X7R 50V			
2767	5322 126 11579	3,3NF10%X7R 63V			
2770	4822 126 13909	680PF 10% X7R 50V			
2771	2238 586 59812	CER2 0603 Y5V50V 100NP80M			
2772	2238 586 59812	CER2 0603 Y5V50V 100NP80M			
2773	2238 586 59812	CER2 0603 Y5V50V 100NP80M			
2774	2238 586 59812	CER2 0603 Y5V50V 100NP80M			
2775	2238 586 59812	CER2 0603 Y5V50V 100NP80M			
2776	2238 586 59812	CER2 0603 Y5V50V 100NP80M			
2777	2238 586 59812	CER2 0603 Y5V50V 100NP80M			
2778	4822 124 40207	100UF20% 25V			
2779	4822 124 40207	100UF20% 25V			
2781	4822 124 40196	220UF20% 16V			
2782	4822 124 40248	10UF20% 63V			
2783	4822 124 40196	220UF20% 16V			
2784	4822 124 40196	220UF20% 16V			
2785	4822 124 40196	220UF20% 16V			
2786	4822 124 40196	220UF20% 16V			
2787	4822 124 40207	100UF20% 25V			
2788	4822 124 81286	47UF20% 16V			
2789	4822 124 81286	47UF20% 16V			
2790	4822 124 40207	100UF20% 25V			
2791	4822 124 81286	47UF20% 16V			
2793	4822 124 40196	220UF20% 16V			
2794	4822 124 40196	220UF20% 16V			
2795	2238 586 59812	CER2 0603 Y5V50V 100NP80M			
2796	2238 586 59812	CER2 0603 Y5V50V 100NP80M			
2797	4822 124 40207	100UF20% 25V			
2798	4822 124 40207	100UF20% 25V			
2799	2238 586 59812	CER2 0603 Y5V50V 100NP80M			
2800	4822 124 40207	100UF20% 25V			
2802	2238 586 59812	CER2 0603 Y5V50V 100NP80M			
2803	5322 122 33861	120PF10% 50V			
2805	4822 124 81151	22UF 50V			
			<b>Resistors</b>		
			3602	4822 051 30332	3K30 5% 0,062W
			3603	4822 051 30102	1K00 5% 0,062W
			3604	4822 117 13632	100K 1% 0603 0.62W
			3605	4822 051 30223	22K00 5% 0,062W
			3606	4822 051 30008	0R00 JUMPER
			3607	4822 117 12891	220K 1% ERJ3E
			3608	4822 051 30102	1K00 5% 0,062W
			3611	4822 051 30103	10K00 5% 0,062W
			3612	4822 051 30008	0R00 JUMPER
			3614	4822 051 30008	0R00 JUMPER
			3616	4822 051 30103	10K00 5% 0,062W
			3617	4822 051 30103	10K00 5% 0,062W
			3618	4822 051 30008	0R00 JUMPER
			3620	4822 051 30103	10K00 5% 0,062W
			3621	4822 051 30103	10K00 5% 0,062W
			3622	4822 051 30008	0R00 JUMPER
			3623	4822 051 30008	0R00 JUMPER
			3625	4822 051 30273	27K00 5% 0,062W
			3626	4822 117 13632	100K 1% 0603 0.62W
			3629	4822 117 12139	22R 5% 0,062W
			3630	4822 117 12139	22R 5% 0,062W
			3631	4822 051 20108	1R00 5% 0,1W
			3632	4822 051 20108	1R00 5% 0,1W
			3633	4822 051 20108	1R00 5% 0,1W
			3634	4822 051 20108	1R00 5% 0,1W
			3635	4822 051 30103	10K00 5% 0,062W
			3636	4822 051 30203	20K00 5% 0,062W
			3637	4822 051 30333	33K00 5% 0,062W
			3638	4822 051 30203	20K00 5% 0,062W
			3639	4822 051 30203	20K00 5% 0,062W
			3640	2322 704 67504	RST SM 0603 RC22H 750K PM1
			3642	2322 704 67504	RST SM 0603 RC22H 750K PM1
			3643	4822 051 30334	330K00 5% 0,062W
			3644	4822 051 30334	330K00 5% 0,062W
			3645	4822 117 12917	1R 5% 0,062W CASE0603
			3646	4822 051 30103	10K00 5% 0,062W
			3647	4822 051 30103	10K00 5% 0,062W
			3648	4822 117 13632	100K 1% 0603 0.62W
			3650	4822 051 30008	0R00 JUMPER
			3651	4822 117 13632	100K 1% 0603 0.62W
			3652	4822 051 30339	33R00 5% 0,062W
			3655	4822 051 30183	18K00 5% 0,062W
			3656	4822 051 30102	1K00 5% 0,062W
			3657	4822 051 30102	1K00 5% 0,062W
			3658	4822 117 13608	4,7R 5% 0603 0,0016W
			3659	4822 117 12902	8K2 1% 0.063W 0603
			3660	4822 051 30391	390R00 5% 0,062W
			3661	2322 704 67504	RST SM 0603 RC22H 750K PM1
			3662	4822 051 30203	20K00 5% 0,062W
			3663	4822 051 30183	18K00 5% 0,062W
			3664	4822 051 30008	0R00 JUMPER
			3665	4822 051 30103	10K00 5% 0,062W
			3666	4822 051 30102	1K00 5% 0,062W
			3667	4822 051 30153	15K00 5% 0,062W



# Spare Part list SDV442/021

7611	3141 017 41001	IC SM M29W800DT PROG RDV442
7613	4822 209 83357	NJM4560M JRC
7614	4822 209 33411	MC78L05ACD
7615	9322 177 09685	IC SM AK4382AVT (AKM0) R
7616	4822 130 60373	BC856B
7617	4822 130 60373	BC856B
7618	4822 130 60373	BC856B
7620	4822 130 11565	2SB1132
7621	4822 130 11565	2SB1132
7625	3141 018 51700	TRA SM 3906 SOT23
7626	3141 018 51700	TRA SM 3906 SOT23
7628	5322 130 60159	BC846B
7629	5322 130 60159	BC846B
7630	3141 018 51690	TRA SM 2SK3018
7631	3141 018 51690	TRA SM 2SK3018
7632	5322 130 60159	BC846B
7633	4822 130 60373	BC856B
7634	9340 425 30115	TRA SIG SM BC847BPN (PHSE) R
7637	5322 130 60159	BC846B
7638	5322 130 60159	BC846B
7653	5322 130 60159	BC846B
7654	5322 130 60159	BC846B

## 3141 018 04182 FRONT MDV442/001

### Various

0041	3141 014 25380	FTD HOLDER DVD625K
1400	3141 010 50321	VFD 20-0707FN ZEC
1400	3141 010 50311	VFD HNV-07SS54T (SAMSUNG)
1401	3141 010 21662	CWAS 07EH/07SAN 260 7 WH 26S
1402	3141 010 21652	CWAS 02EH/02SAN 80 2 WH 26S
1403	3141 010 21451	CWAS 05EH/05SAN 140 5 WH 26S
1405	2422 025 16343	CON BM V 2P M 2.50 EH BK B
1406	3141 010 21442	CWAS 02EH/02SAN 420 2 WH 26S
1410	4822 276 13114	SWITCH, PUSH BUTTON
1411	4822 276 13114	SWITCH, PUSH BUTTON
1412	4822 276 13114	SWITCH, PUSH BUTTON
1413	4822 276 13114	SWITCH, PUSH BUTTON
1415	4822 276 13114	SWITCH, PUSH BUTTON

### Capacitors

2401	4822 126 14238	CER2 0603 X7R 50V 2N2 COL R
2402	2238 586 59812	CER2 0603 Y5V50V 100NP80M
2403	4822 124 40769	4,7UF20% 100V
2409	4822 126 14549	33N 16V X7R O6O3
2411	4822 124 42084	100UF20% 35V
2414	2238 586 59812	CER2 0603 Y5V50V 100NP80M
2415	4822 124 22651	1,0UF20% 50V
2416	4822 124 42084	100UF20% 35V

### Resistors

3400	4822 051 30471	470R00 5% 0,062W
3401	4822 051 30333	33K00 5% 0,062W
3402	4822 051 30103	10K00 5% 0,062W
3403	4822 051 30103	10K00 5% 0,062W
3404	4822 051 30103	10K00 5% 0,062W
3405	4822 051 30102	1K00 5% 0,062W
3406	4822 051 30103	10K00 5% 0,062W
3407	4822 051 30479	47R00 5% 0,062W
3408	4822 051 30472	4K70 5% 0,062W

3409	4822 051 30472	4K70 5% 0,062W
3410	4822 051 30472	4K70 5% 0,062W
3411	4822 051 30472	4K70 5% 0,062W
3415	4822 051 30101	100R00 5% 0,062W
3416	4822 051 30101	100R00 5% 0,062W
3417	4822 051 30101	100R00 5% 0,062W
3418	4822 051 30109	10R00 5% 0,062W
3420	4822 051 30331	330R00 5% 0,062W
3421	4822 051 30471	470R00 5% 0,062W
3422	4822 051 30103	10K00 5% 0,062W
3423	4822 051 30331	330R00 5% 0,062W
3424	4822 051 30331	330R00 5% 0,062W
3425	4822 051 30472	4K70 5% 0,062W
3426	4822 051 30472	4K70 5% 0,062W
3427	4822 051 30103	10K00 5% 0,062W
3428	4822 051 30471	470R00 5% 0,062W
3441	4822 051 30008	OR00 JUMPER
3442	4822 051 20008	OR00 JUMP. (0805)
3443	4822 051 20008	OR00 JUMP. (0805)
3444	4822 051 20008	OR00 JUMP. (0805)
3445	4822 051 20008	OR00 JUMP. (0805)
3446	4822 051 30008	OR00 JUMPER
3447	4822 051 20008	OR00 JUMP. (0805)
3448	4822 051 30008	OR00 JUMPER
3449	4822 051 20008	OR00 JUMP. (0805)
3450	4822 051 30008	OR00 JUMPER
3451	4822 051 30008	OR00 JUMPER
3452	4822 051 20008	OR00 JUMP. (0805)
3453	4822 051 30008	OR00 JUMPER
3454	4822 051 30008	OR00 JUMPER
3455	4822 051 30008	OR00 JUMPER
3457	4822 051 30008	OR00 JUMPER
3458	4822 051 30008	OR00 JUMPER
3460	4822 051 30008	OR00 JUMPER
3461	4822 051 20008	OR00 JUMP. (0805)
3462	4822 051 30008	OR00 JUMPER
3463	4822 051 20008	OR00 JUMP. (0805)
3464	4822 051 30008	OR00 JUMPER
3465	4822 051 20008	OR00 JUMP. (0805)
3466	4822 051 30008	OR00 JUMPER
3467	4822 051 20008	OR00 JUMP. (0805)

### Diodes

6400	4822 130 11397	BAS316
6401	4822 130 34167	BZX79-B6V2
6402	3141 018 80801	LED RED DIF LTL-4221N-011
6403	4822 130 11397	BAS316

### Transistors & Integrate Circuits

7400	8241 010 40440	IC PT6312 QFP44
7401	5322 130 60159	BC846B
7402	4822 130 60373	BC856B
7403	5322 130 60159	BC846B
7404	3141 010 50260	IR RECEIVER HK361BT-16